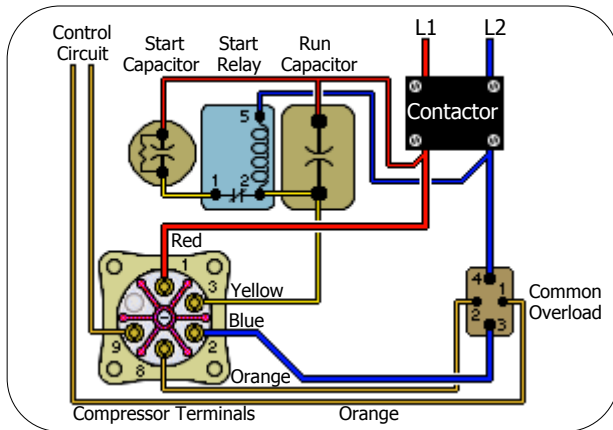


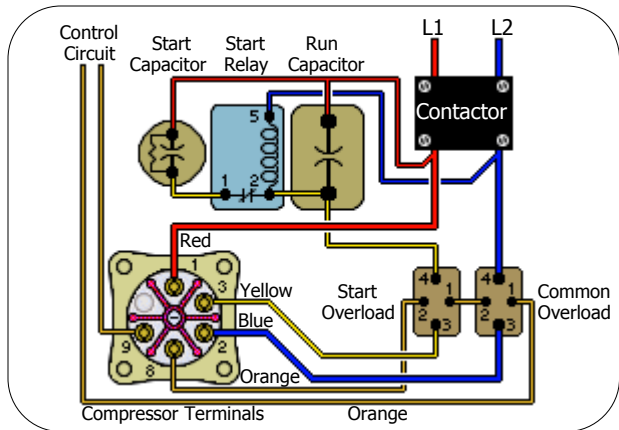
Carrier/Carlyle 6D/06D Compressors Terminal Wiring Diagrams

Single Phase 3 Leads 1 OverLoad



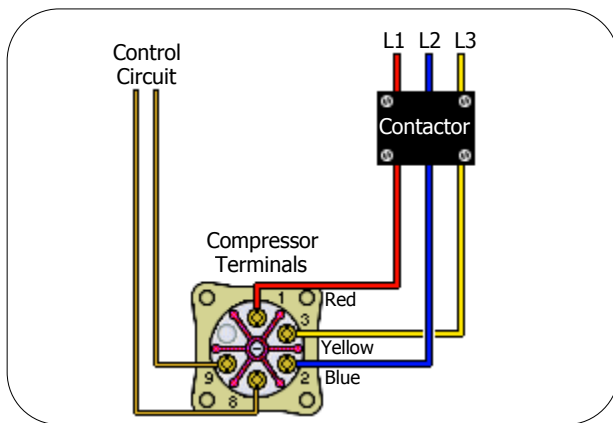
Red (1) - Run Winding
Yellow (3) - Start Winding
Blue (2) - Common
Orange (8) - Control Circuit
Orange (9) - Control Circuit

Single Phase 3 Leads 2 OverLoads

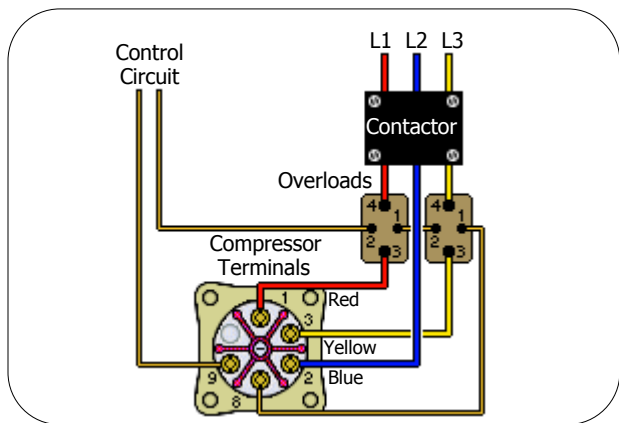


The Start Capacitor has a 15,000 ohm 2 watt bleed resistor connected across its terminals to protect the Start Relay contacts.

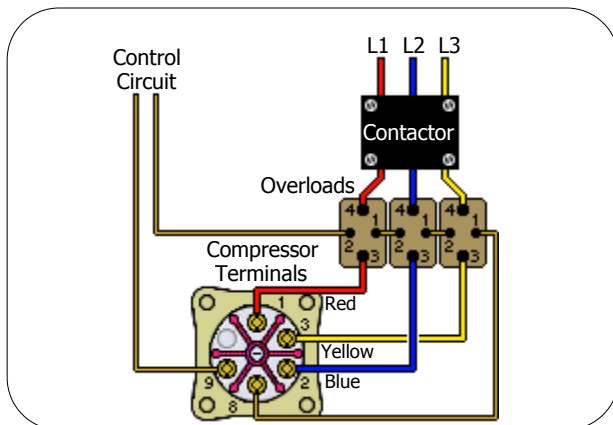
Three Phase 3 Leads No Overloads



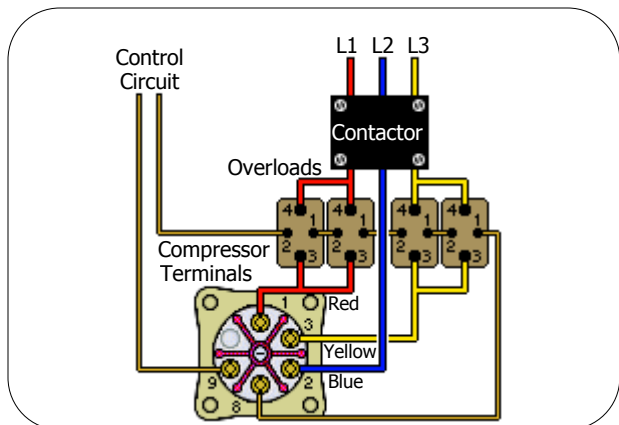
Three Phase 3 Leads 2 Overloads



Three Phase 3 Leads 3 Overloads

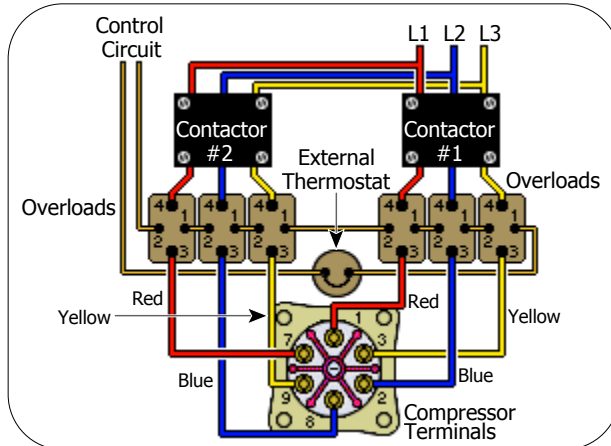


Three Phase 3 Leads 4 Overloads



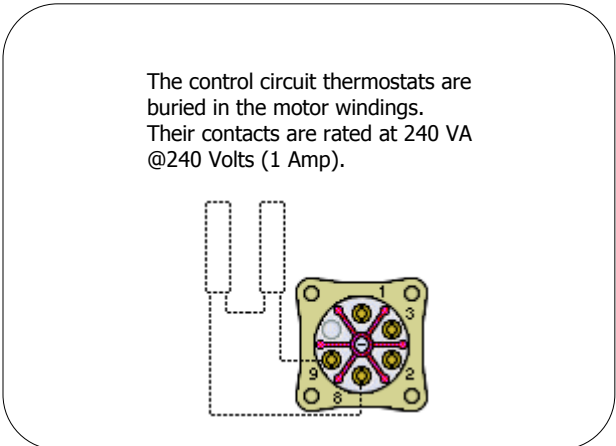
Carrier/Carlyle 6D/06D Compressors Terminal Wiring Diagrams

Three Phase 6 Leads 6 Overloads

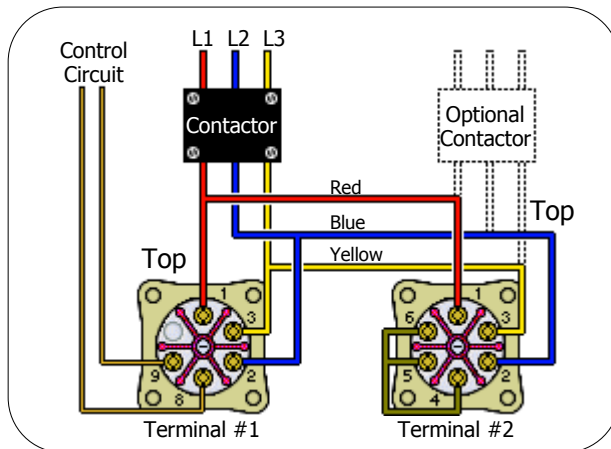


External Thermostat contacts rated at 240 VA @240 Volts (1 Amp).

Internal Thermostats - all 3 & 9 Lead Motors



Three Phase 9 Leads 230 Volts



Terminal #1 is the Left Hand terminal plate facing the compressor motor cover.
Terminal #2 is the Right Hand terminal plate facing the compressor motor cover.

Three Phase 9 Leads 460 Volts

